

# SERVICE MANUAL



## RS-560 (EUROPE)

### AM/FM Stereo Receiver



132 356 41

### TABLE OF CONTENTS

Specifications .....	2
Caution on RF Adjustment .....	3
AM Tuner Alignment .....	3
FM Tuner Alignment .....	4
AM/FM Tuner Adjustment Points .....	5
Power Amplifier Adjustment .....	6
Before Adjustment .....	6
Idling Current Adjustment .....	6
Left Channel Amplifier .....	6
Right Channel Amplifier .....	6
Adjustment Points .....	6
Cabinet & Chassis Exploded View (1) .....	7
Cabinet & Chassis Exploded View (2) .....	8
Cabinet & Chassis Part List .....	9
P.C.Board Parts List .....	10
IC Block Diagram .....	16
P.C.Board (Bottom View) .....	18
Schematic Diagram (Micom Control P.C.Board Section) .....	23
Schematic Diagram (RF Main P.C.Board Section) .....	25
Point to Point Wiring Diagram .....	27
Important Note .....	28
Reference Voltage Table of IC & Transistor Lead .....	29
IC & Transistor Lead Identification .....	30

REFERENCE No. WM-570685

# SPECIFICATIONS

## POWER AMPLIFIER SECTION

Minimum RMS sine wave power per channel within the stated bandwidth at no more than the stated distortion and with an 8Ω load (DIN) ..... 40Watts  
 Power Bandwidth ..... 20Hz ~ 20kHz  
 Total Harmonic Distortion ..... 0.07%  
 I.M. Distortion ..... 0.07%  
 Speaker Damping ..... > 20

## PREAMPLIFIER SECTION

Frequency Response  
 Phono (RIAA) ..... ±1dB  
 AUX (20Hz ~ 20kHz) ..... ±1dB  
 Input Sensitivity and Impedance  
 Phono ..... 2.5mV/47kΩ  
 Tape Monitor 1,2 ..... 150mV/47kΩ  
 AUX/CD ..... 150mV/47kΩ  
 Phono: Maximum Input Capability ..... 150mV  
 Graphic Equalizer  
 63Hz ..... ±10dB  
 250Hz ..... ±10dB  
 1kHz ..... ±10dB  
 4kHz ..... ±10dB  
 16kHz ..... ±10dB  
 Loudness Contour (100Hz/10kHz) ..... +8dB/+4dB  
 Hum and Noise (DIN)  
 Phono ..... 70dB  
 Tape Monitor 1,2 ..... 90dB  
 AUX/CD ..... 90dB

## FM SECTION

26dB Quieting Sensitivity  
 Monaural ..... 1.0μV/0dB  
 46dB Quieting Sensitivity  
 Monaural ..... 5.0μV/14dB  
 Signal-to-Noise Ratio  
 Monaural ..... 70dB  
 Stereo ..... 65dB  
 Capture Ratio ..... 1.5dB  
 Alternate Channel Selectivity(±300kHz) ..... 50dB  
 Image Response Ratio ..... > 118dB  
 Spurious Response Ratio ..... 80dB  
 IF Response Ratio ..... > 118dB  
 AM Suppression Ratio ..... 60dB  
 Total Harmonic Distortion at 50dB Quieting  
 Monaural ..... 0.1%  
 Stereo ..... 0.1%  
 Total Harmonic Distortion at 65dBf  
 Monaural (100Hz/1kHz/6kHz) ..... 0.3/0.3/0.4%  
 Stereo (100Hz/1kHz/6kHz) ..... 0.4/0.4/0.5%  
 Stereo Separation  
 (100Hz/1kHz/10kHz) ..... 40/40/30dB  
 Sub-Carrier Rejection (19kHz/38kHz) ..... 30/50dB  
 Audio Frequency Response  
 (20Hz ~ 15kHz) ..... ±3.0dB

## AM SECTION

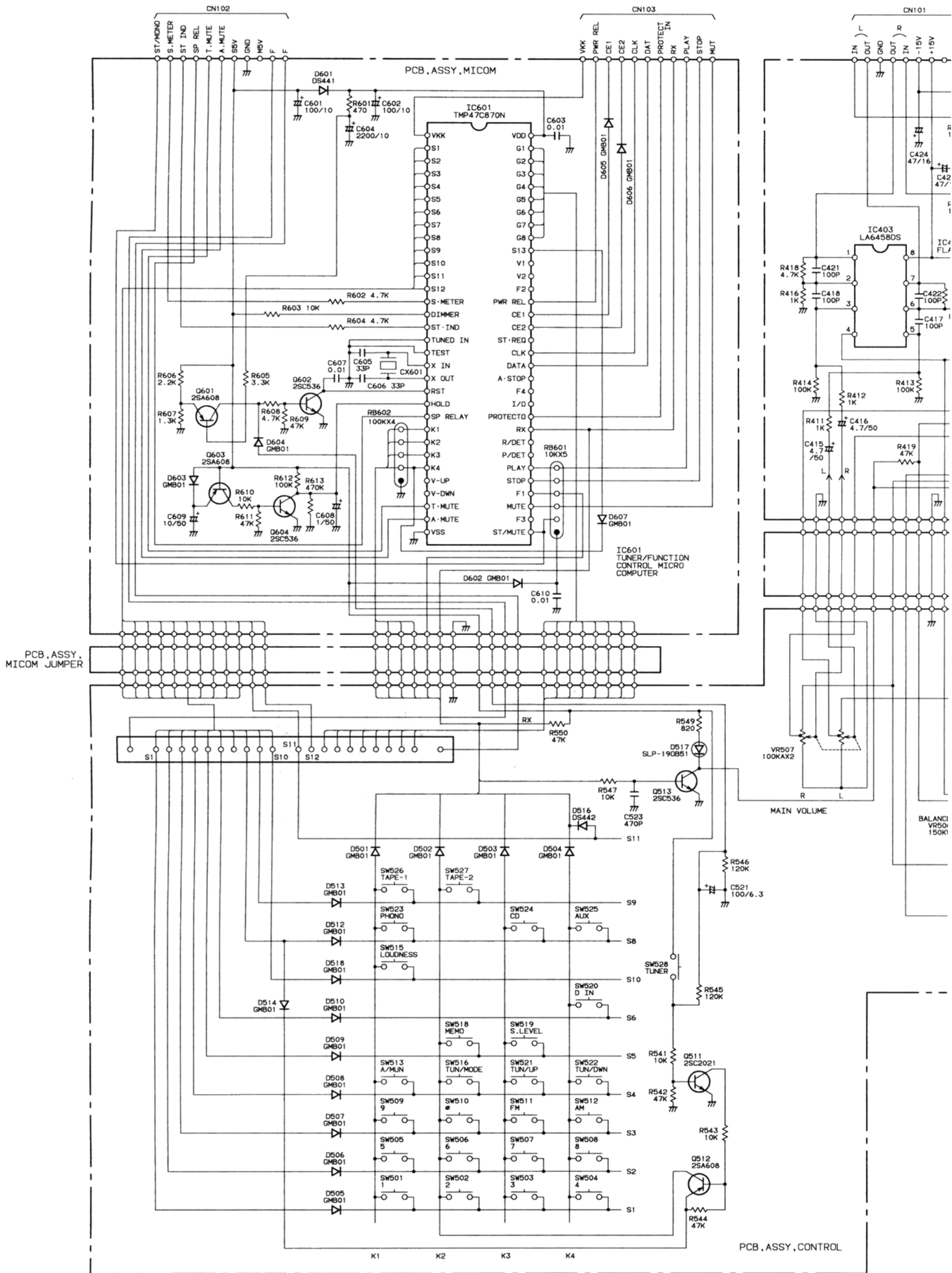
Usable Sensitivity ..... 800μV/m  
 Selectivity ..... 28dB  
 Signal-to-Noise Ratio ..... 55dB  
 Image Response Ratio ..... 38dB  
 IF Response Ratio ..... 60dB

## GENERAL

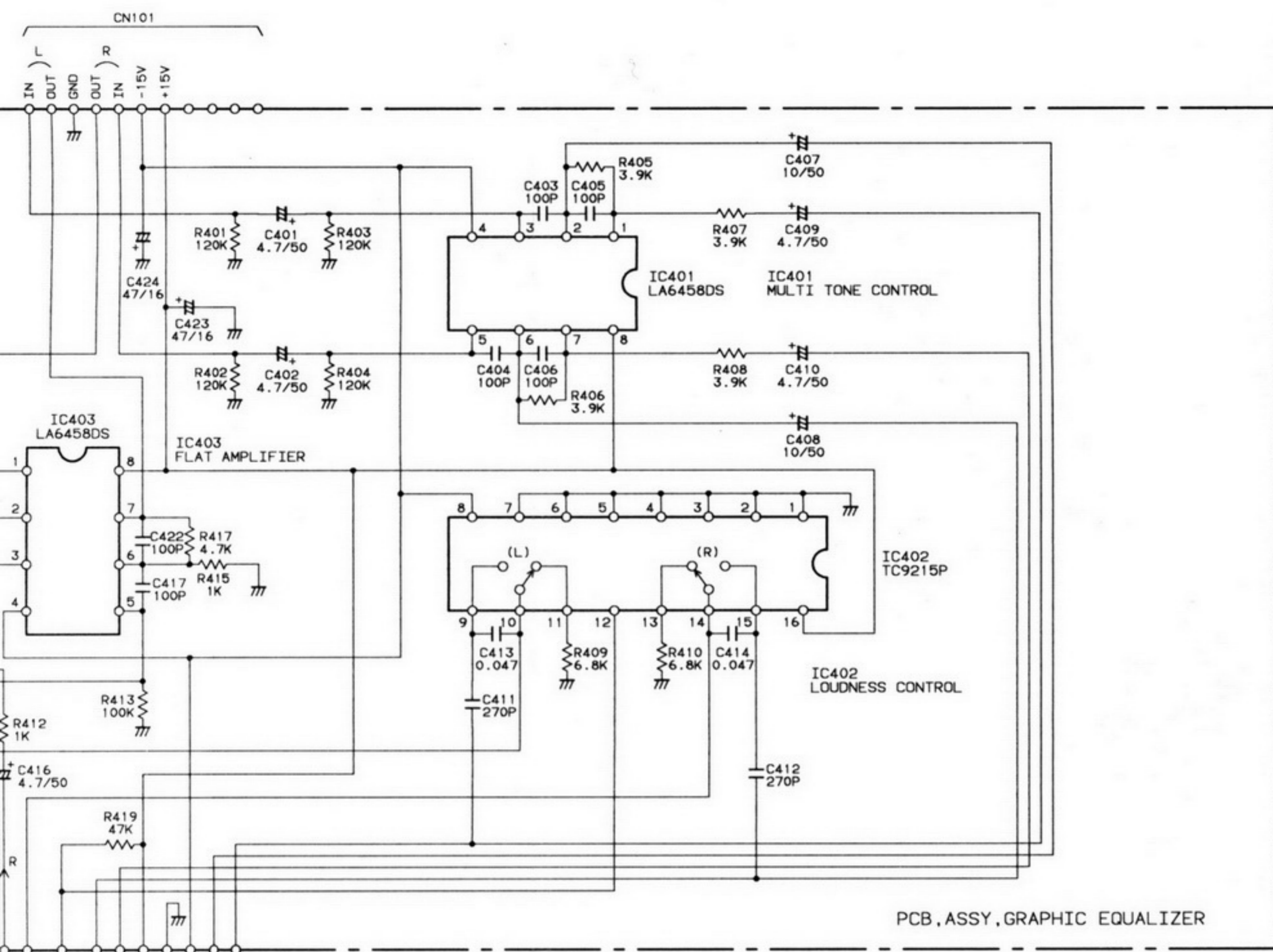
Timer: Power off delay ..... ≥90 minutes  
Selectable, 10-minute steps  
 Power Requirements ..... AC 230V  
 (50/60Hz) ..... 250Watts  
 AC Outlet (Switched) ..... 2  
 Dimensions (WxHxD) ..... 440 x 115 x 350mm  
 Weight (Approximate) ..... 5.9kg

— Specifications and design are subject to change without notice. —

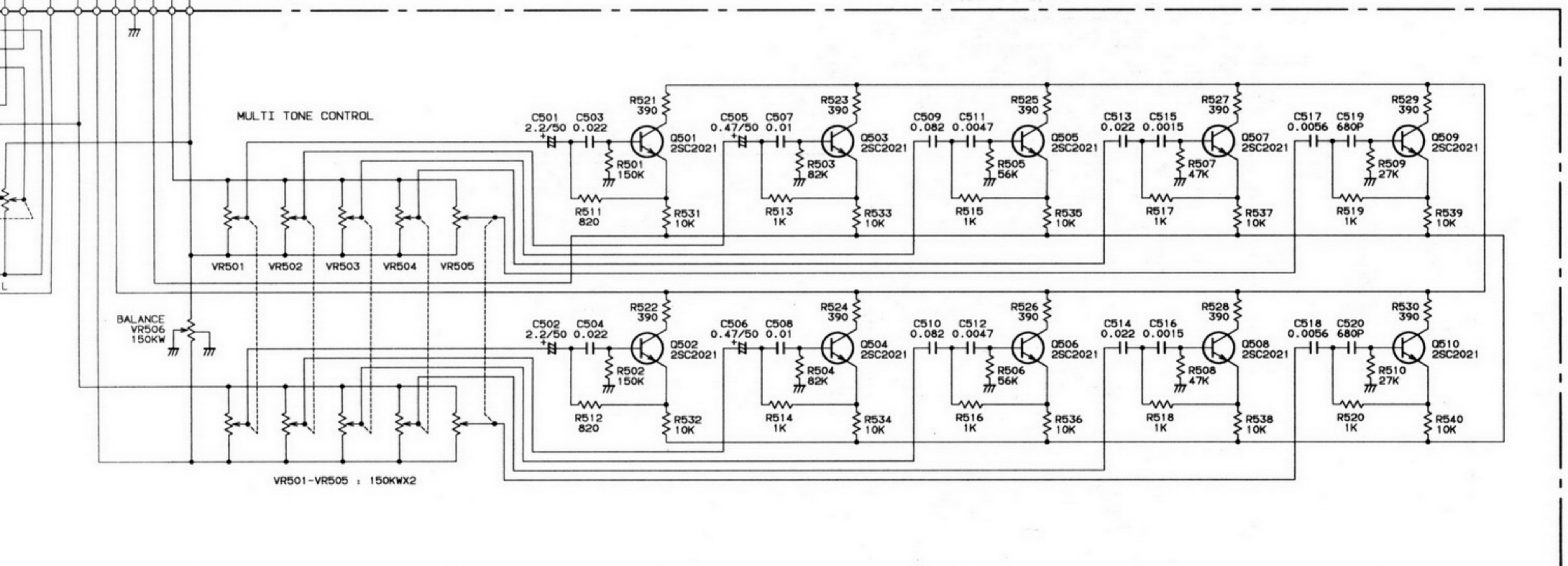
# SCHEMATIC DIAGRAM (MICOM)



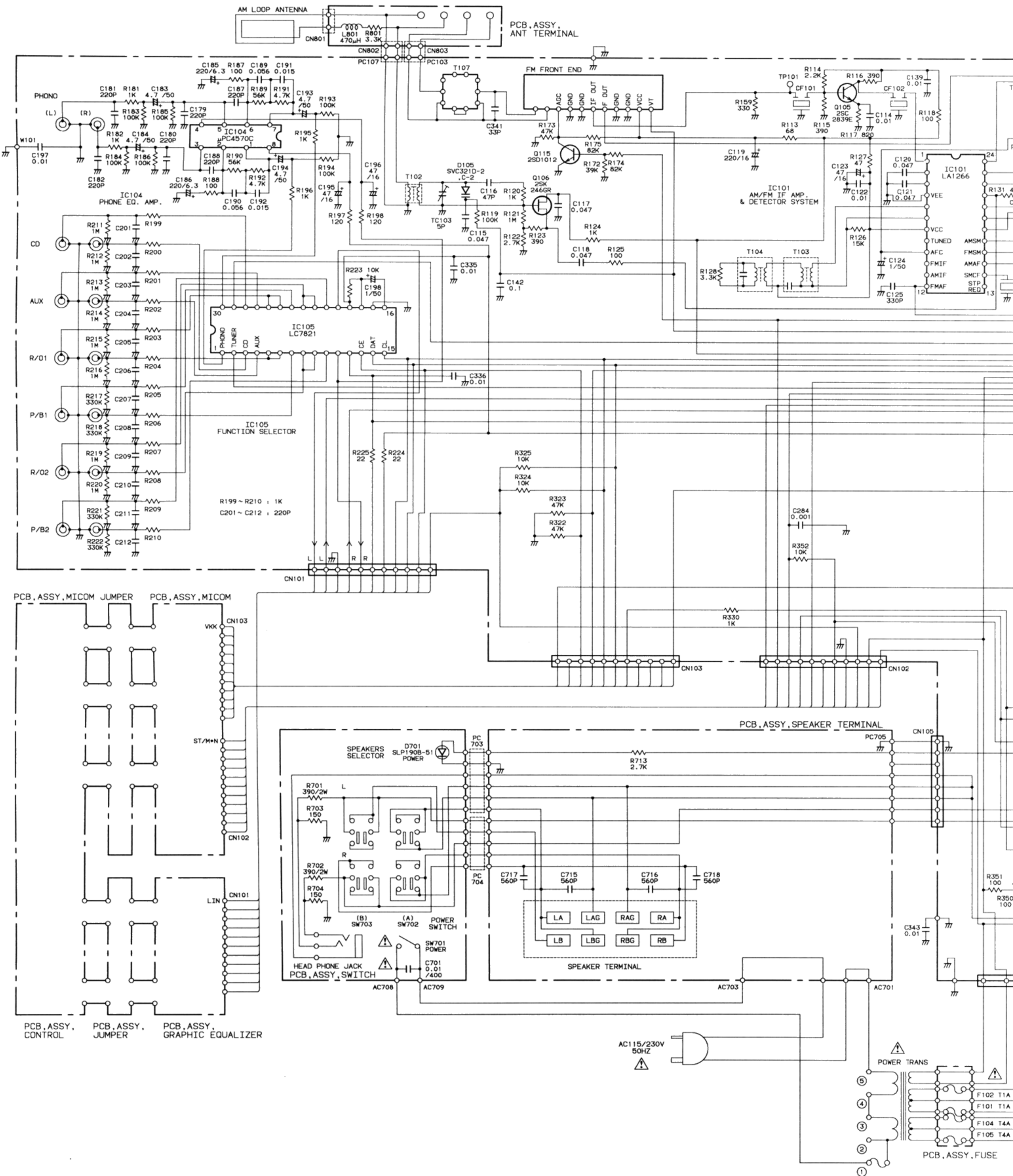
# M (MICOM CONTROL P.C.BOARD Section)



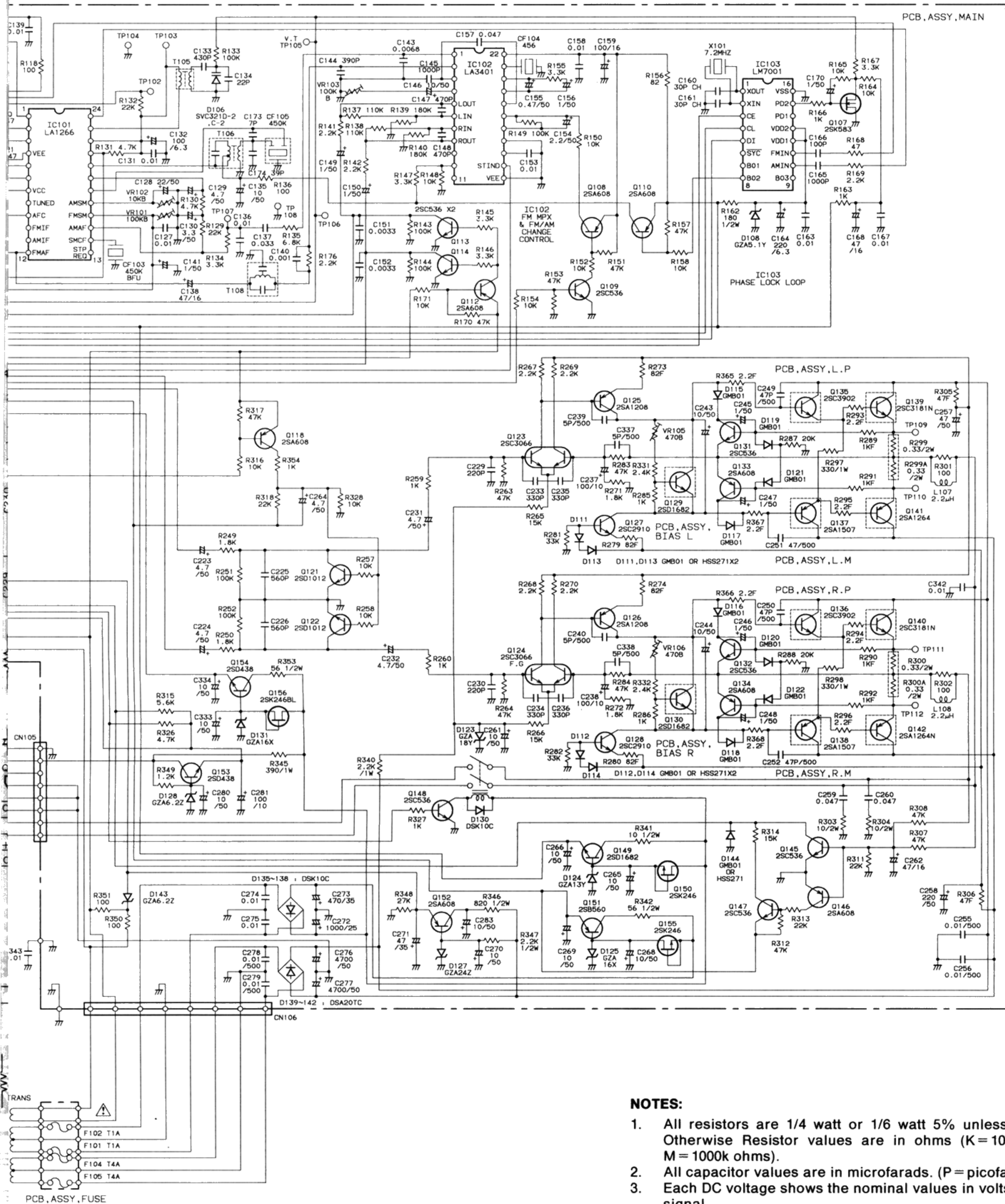
PCB, ASSY, MICOM JUMPER



# SCHEMATIC DIAGRAM (RF MAIN P.C



# MAIN P.C.BOARD Section)



- NOTES:**
1. All resistors are 1/4 watt or 1/6 watt 5% unless marked. Otherwise Resistor values are in ohms (K=1000 ohms, M=1000k ohms).
  2. All capacitor values are in microfarads. (P=picofarads).
  3. Each DC voltage shows the nominal values in volts no input signal.
  4.  $\Delta$  is Safety Part. Use only replacement parts recommended by the manufacturer.
  5. This is a basic schematic diagram.

# POINT TO POINT WIRING DIAGRAM

